

# CaBano

Specs Sheet  
Fiche technique

## VOLERO #66SD42C

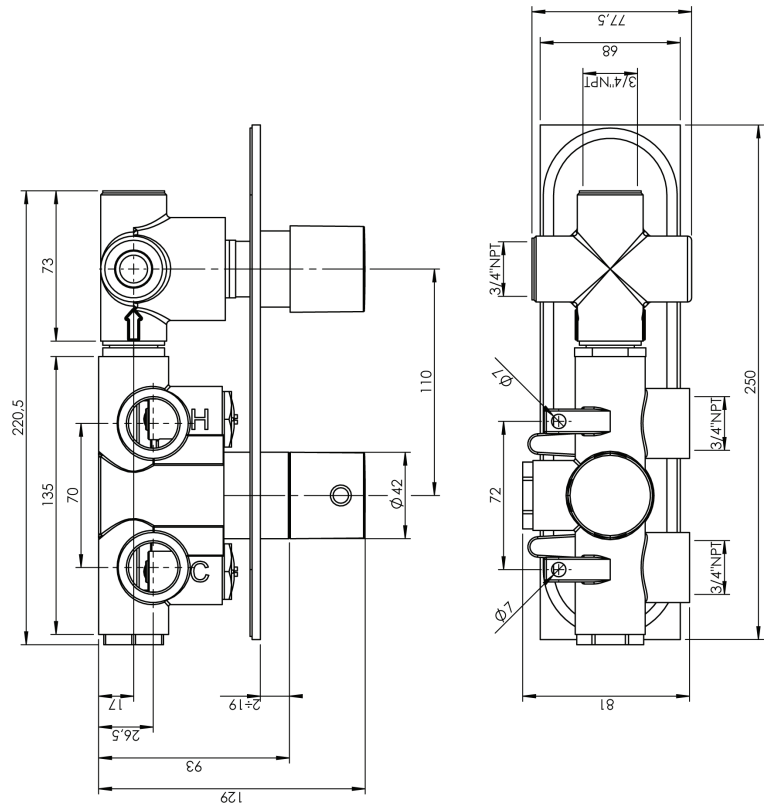
Square Shower Design – 2 outlets  
Système de douche design carré – 2 sorties

 .99 Chrome



## #om021

3/4" Thermostatic with 2 way diverter

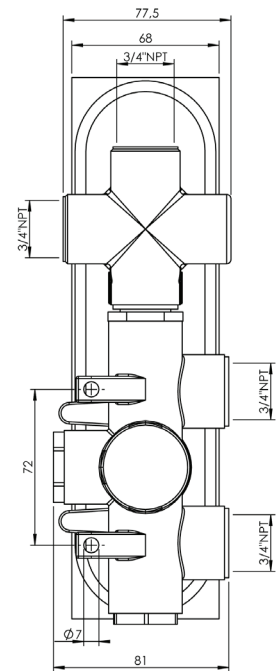
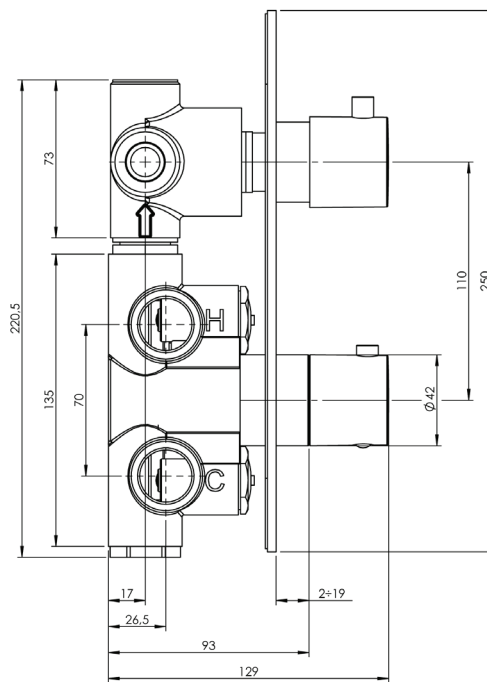


Can add independent flow control  
Integrated service stops, filters & back-flow preventers  
Rough-in can be mounted horizontally or vertically  
12 GPM (45.4 L/min.)



## 3 Sixty #36021T

Trim for rough-in om021

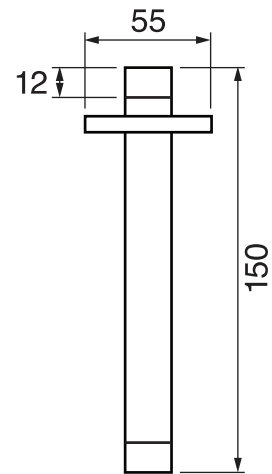
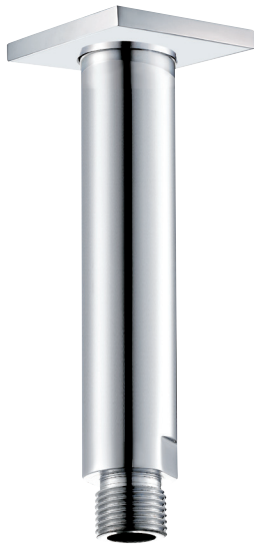


Order om021 rough-in separately  
2<sup>5</sup>/<sub>8</sub>" x 9<sup>7</sup>/<sub>8</sub>"

Finish: Chrome (#99)

## #6007

6" ceiling arm with square flange

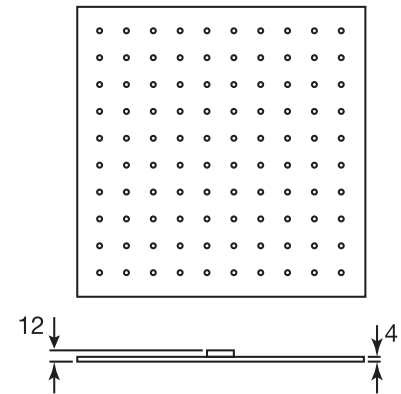


1/2" Male NPT inlet  
Sliding flange

Finish: Chrome (#99)

## #6079

10" square thin rain head

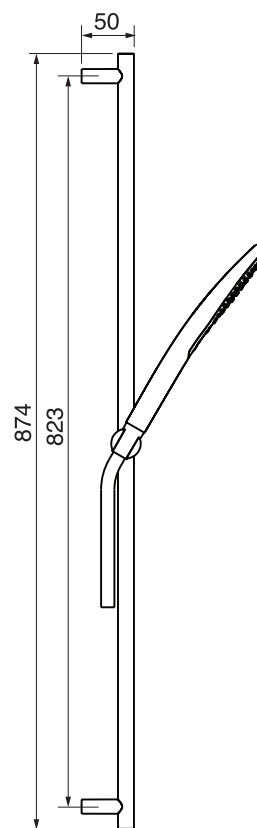


4 mm in thickness  
Easy clean nozzles  
High polished stainless steel  
2.5 GPM (9.5 L/min.)

Finish: Chrome (#99)

## #75118

Shower rail kit

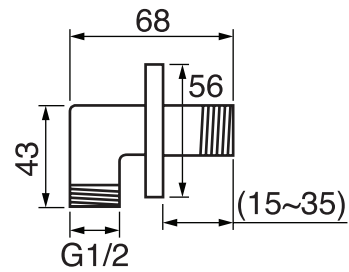


Includes bar, hose and hand shower  
2 position spray  
Easy clean nozzles  
2.5 GPM (9.5 L/min.)

Finish: Chrome (#99)

## 360 #6038

Square wall supply elbow



1/2" male NPT inlet  
Sliding flange

Finish: Chrome (#99)