

CaBano

Specs Sheet
Fiche technique

VOLERO #66SD40

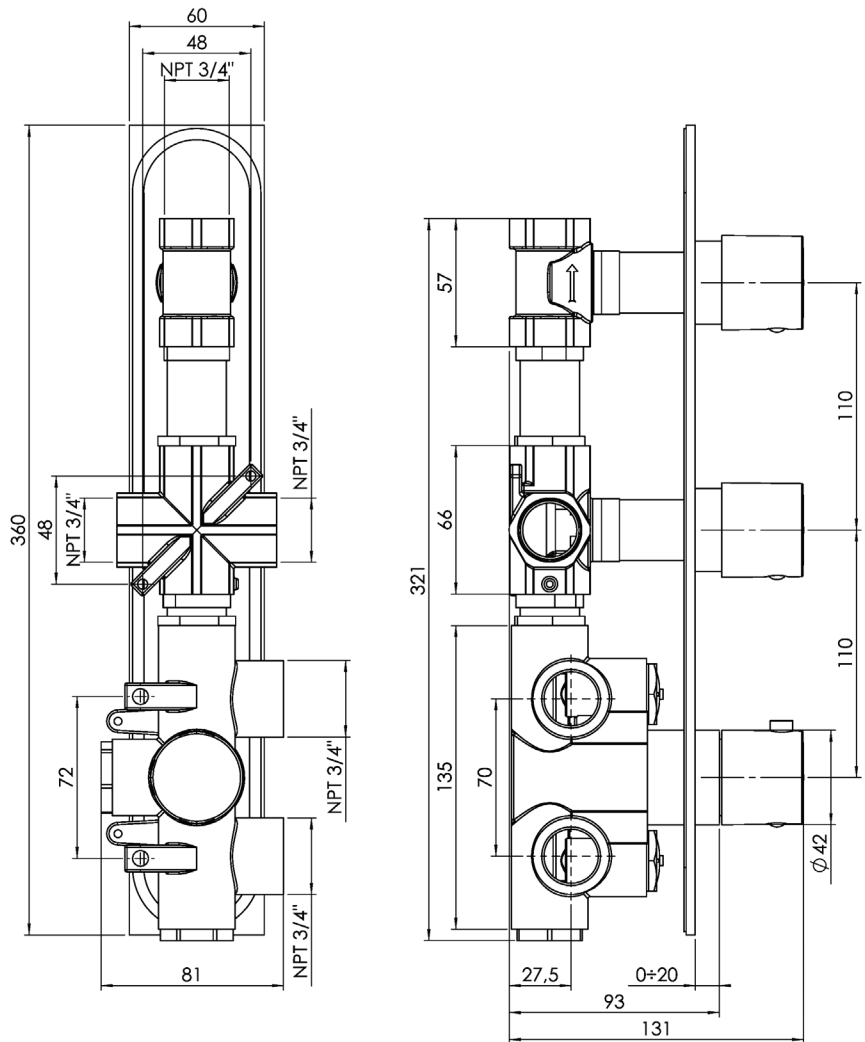
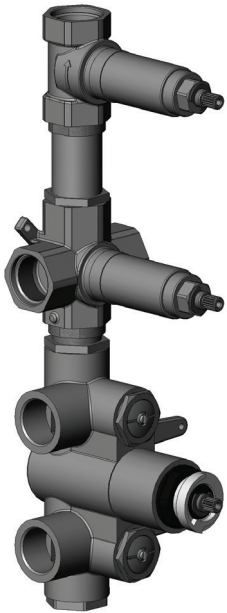
Square Shower Design – 2 outlets
Système de douche design carré – 2 sorties

 .99 Chrome



#om013

3/4" Thermostatic with 2 flow controls

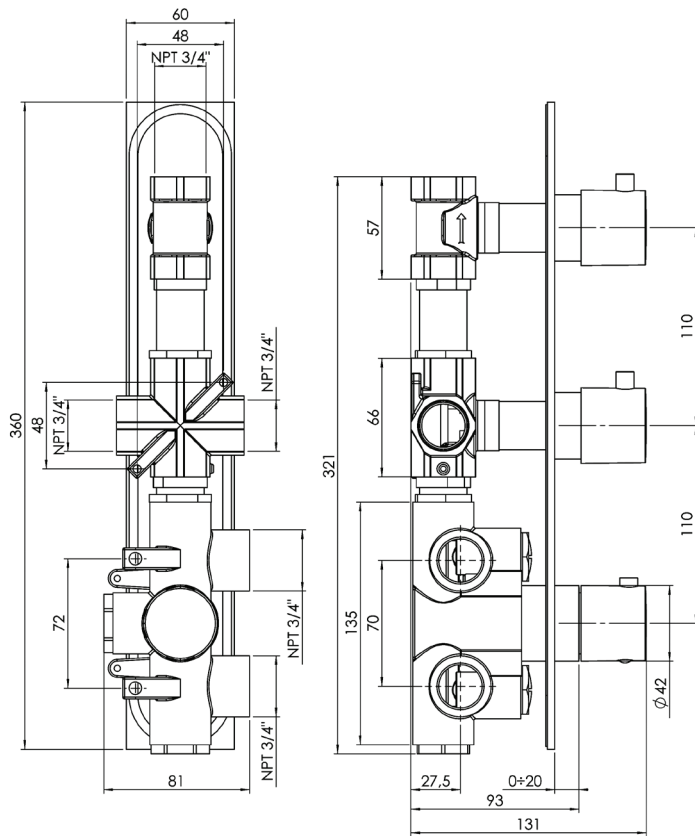


Can add independent flow control
Integrated service stops, filters & back-flow preventers
Rough-in can be mounted horizontally or vertically
13 GPM (49.2 L/min.)



Volero #66013T

Trim for rough-in om013

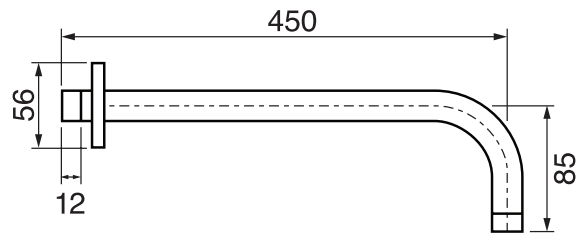


Order om013 rough-in separately
2³/₈" x 14¹/₈"

Finish: Chrome (#99)

#6019

18" shower arm with square flange

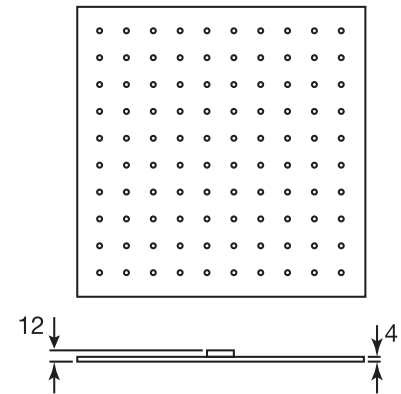


1/2" Male NPT inlet
Sliding flange

Finish: Chrome (#99)

#6079

10" square thin rain head

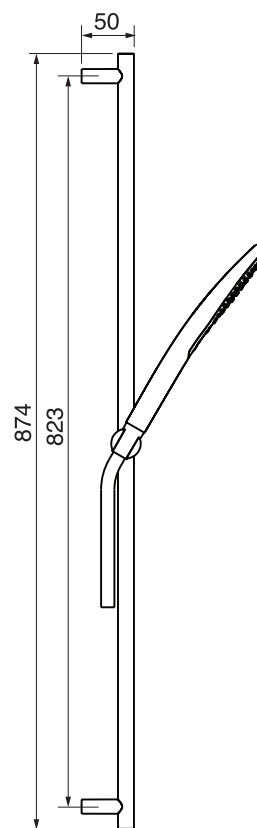


4 mm in thickness
Easy clean nozzles
High polished stainless steel
2.5 GPM (9.5 L/min.)

Finish: Chrome (#99)

#75118

Shower rail kit

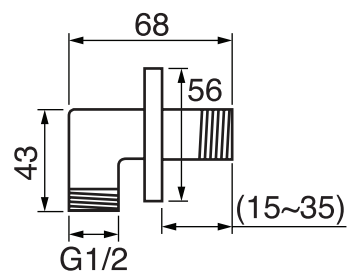


Includes bar, hose and hand shower
2 position spray
Easy clean nozzles
2.5 GPM (9.5 L/min.)

Finish: Chrome (#99)

360 #6038

Square wall supply elbow



1/2" male NPT inlet
Sliding flange

Finish: Chrome (#99)