

CaBano

Specs Sheet
Fiche technique

VOLEX #47SD42C

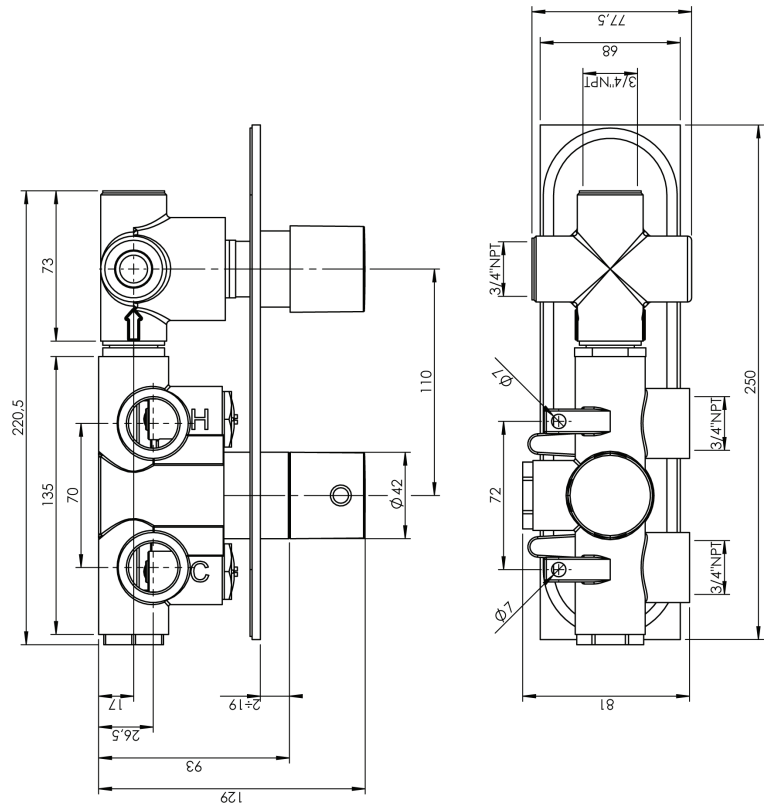
Square Shower Design – 2 outlets
Système de douche design carré – 2 sorties

 .99 Chrome



#om021

3/4" Thermostatic with 2 way diverter

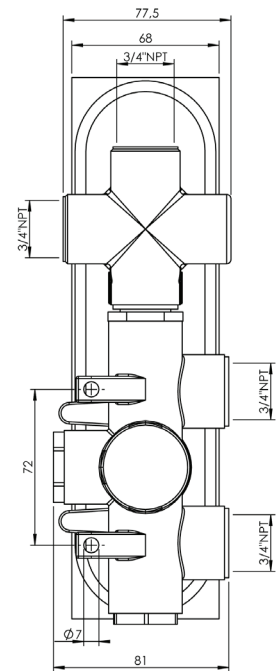
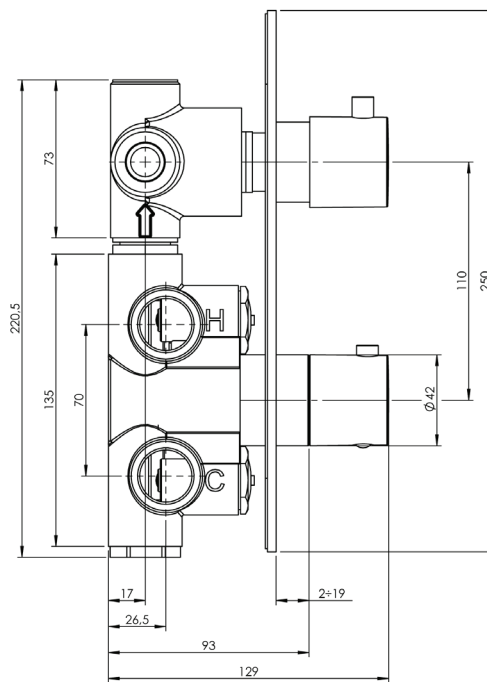


Can add independent flow control
Integrated service stops, filters & back-flow preventers
Rough-in can be mounted horizontally or vertically
12 GPM (45.4 L/min.)



Volex #47021T

Trim for rough-in om021

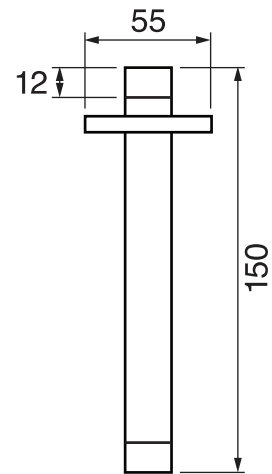
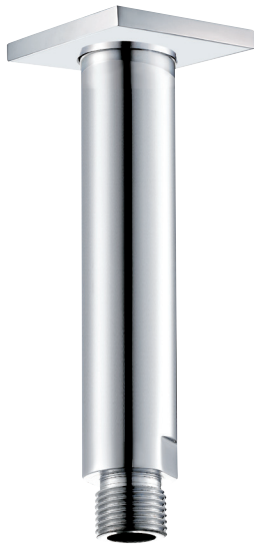


Order om021 rough-in separately
2⁵/₈" x 9⁷/₈"

Finish: Chrome (#99)

#6007

6" ceiling arm with square flange

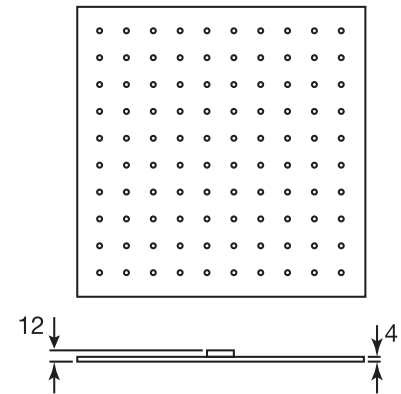


1/2" Male NPT inlet
Sliding flange

Finish: Chrome (#99)

#6079

10" square thin rain head

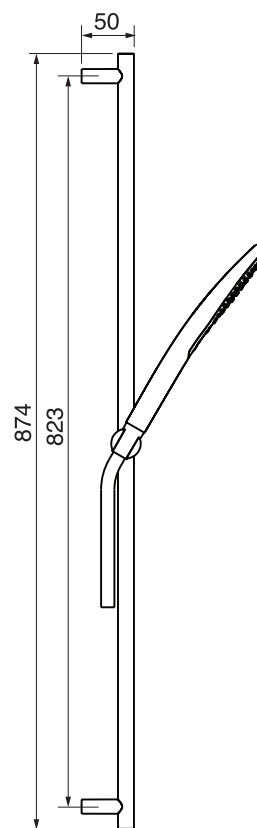


4 mm in thickness
Easy clean nozzles
High polished stainless steel
2.5 GPM (9.5 L/min.)

Finish: Chrome (#99)

#75118

Shower rail kit

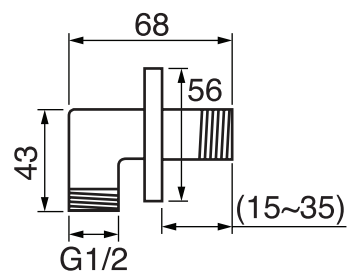


Includes bar, hose and hand shower
2 position spray
Easy clean nozzles
2.5 GPM (9.5 L/min.)

Finish: Chrome (#99)

360 #6038

Square wall supply elbow



1/2" male NPT inlet
Sliding flange

Finish: Chrome (#99)