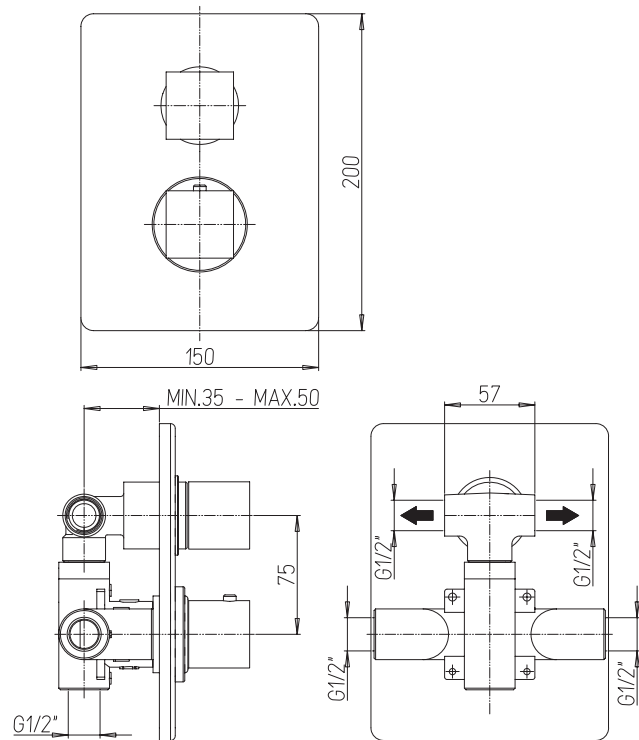


## Quadrato #21042TH

Trim for rough-in pa042



Order pa042 rough-in separately  
5<sup>7</sup>/<sub>8</sub>" x 7<sup>7</sup>/<sub>8</sub>"

Finish: Chrome (#99)