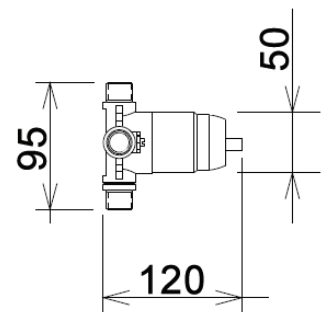
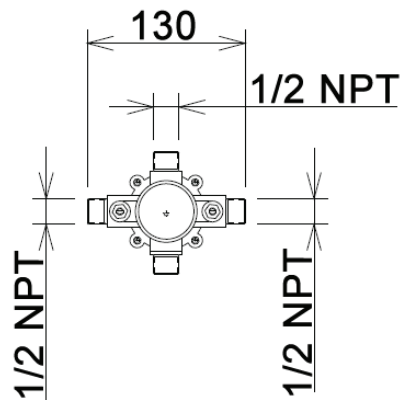


#PB78697

Pressure balance valve



Integrated service stops, filters & back-flow preventers
Easy control handle with temperature & flow control
Bottom outlet to be used with spout only
5.6 GPM (21.2 L/min.)
Extension kit available

