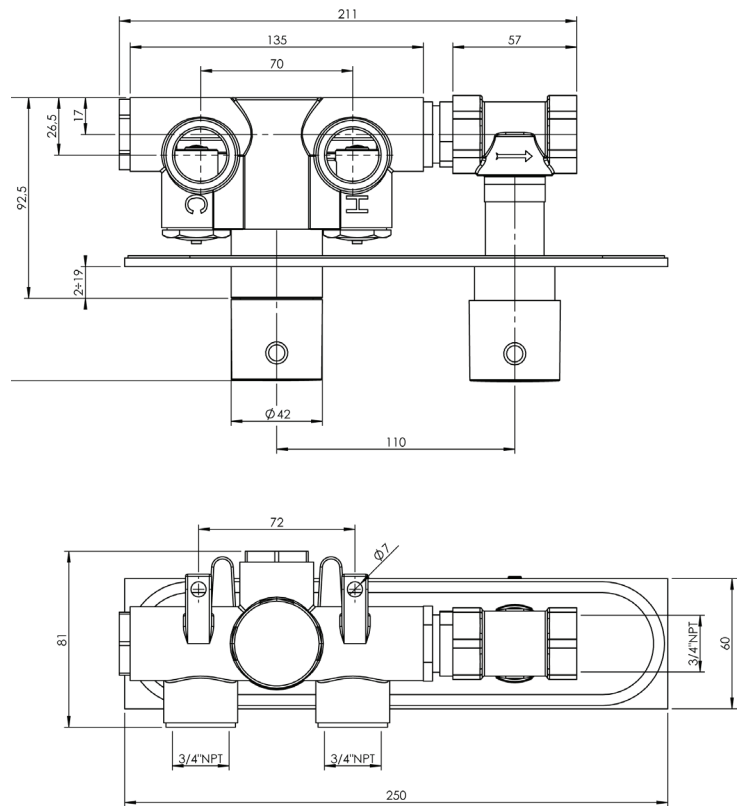
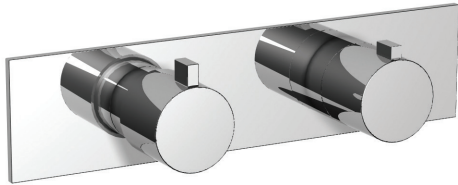


Program 1 #89017T

Trim for rough-in om012



Order om012 rough-in separately
 $9\frac{7}{8}$ " x $2\frac{3}{8}$ "

Finish: Chrome (#99)