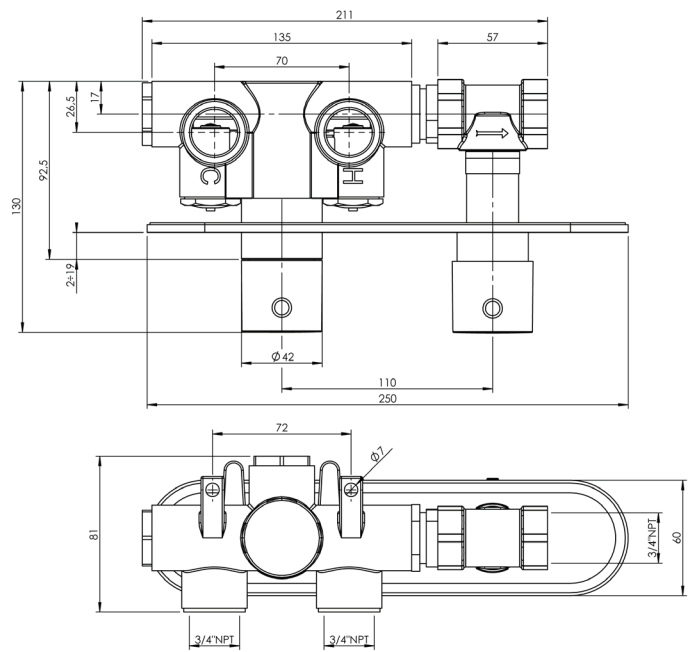
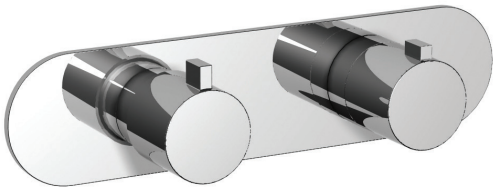


## Program 1 #89017RT

Trim for rough-in om012



Order om012 rough-in separately  
9<sup>7</sup>/<sub>8</sub>" x 2<sup>3</sup>/<sub>8</sub>"

Finish: Chrome (#99)