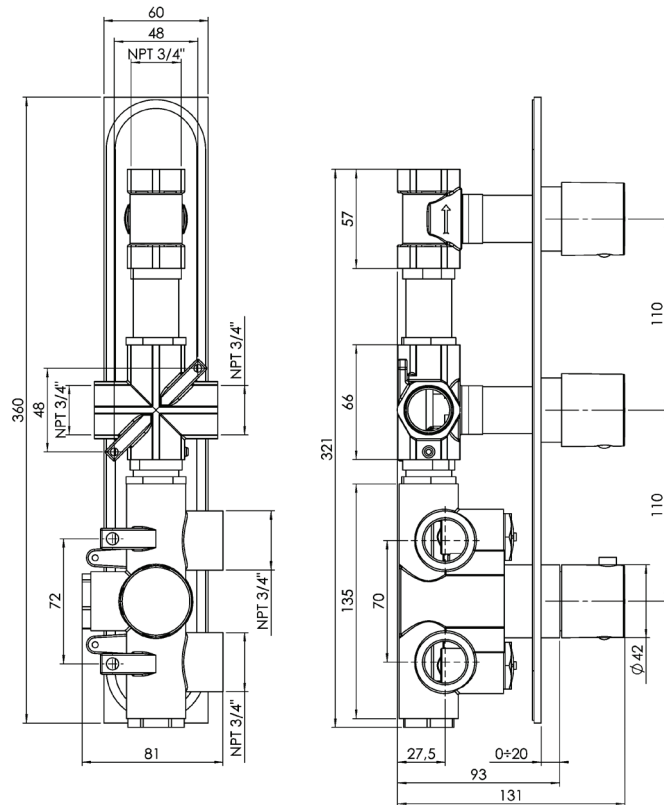


## 3 Sixty #36013T

Trim for rough-in om013



Order om013 rough-in separately  
2<sup>3</sup>/<sub>8</sub>" x 14<sup>1</sup>/<sub>8</sub>"

Finishes: Chrome (#99)  
Matt black (#175)